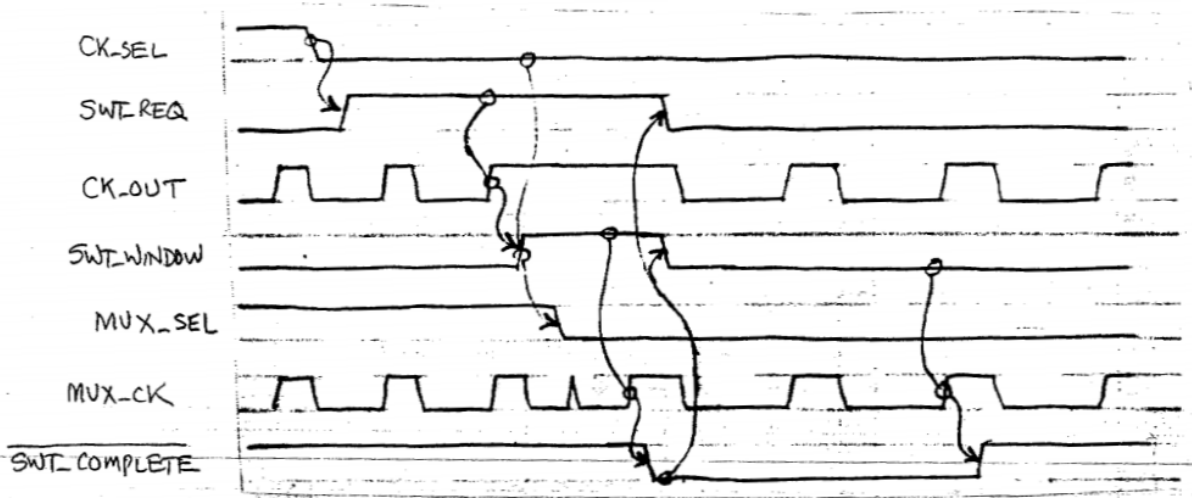
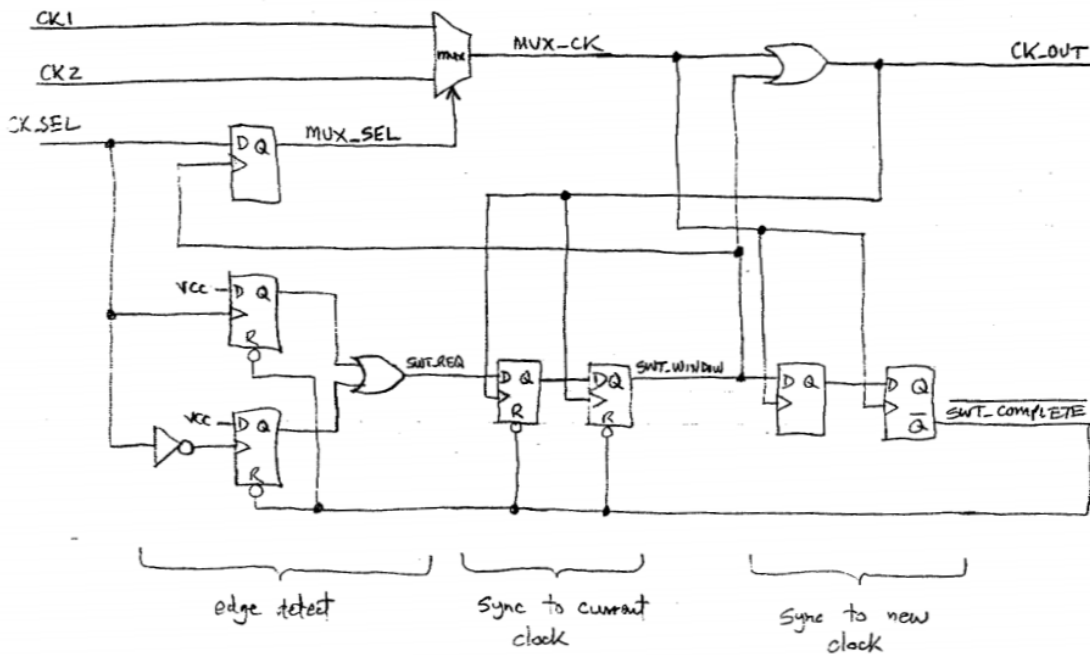


Asynchronous Clock Switcher

G. Barrere – Exality Corporation

This circuit was developed to switch cleanly between two different asynchronous clocks CK1 and CK2. Cascaded flip flops are used to avoid metastable conditions.



The main idea is that SWT_WINDOW \uparrow must be synced to the current clock \uparrow , and SWT_WINDOW \downarrow must be synced to the new clock \uparrow . CK_SEL may be asynchronous to either clock.